

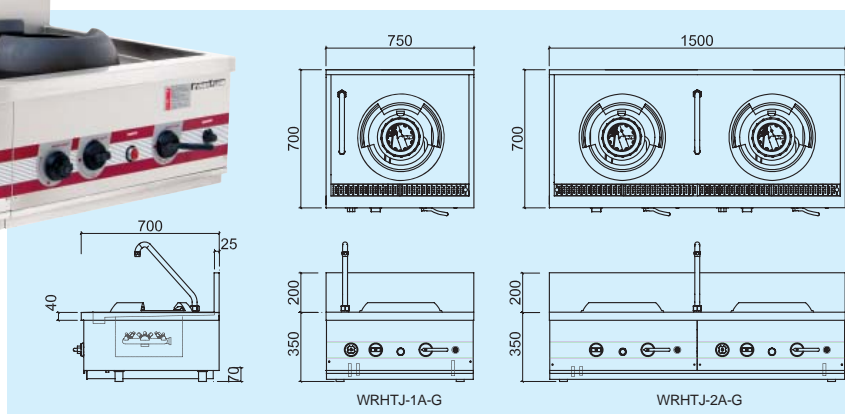
Table Top Wok Range (Jet Burner Type)



THE TABLE TOP WOK RANGE is a newly developed concept in powerful wok cooking. Its compact size and table top placement is designed to suit for different small kitchens, even in domestic.

It is equipped with Quiet Turbo type 16-Jet Burner to produce concentrated flame which satisfies the requirement of high power fast stir fry cooking and low noise operation. Its Electronic Ignition Device and Safety Valve are also equipped to ensure efficient, quiet, easy and safe operation.

The high quality exterior stainless steel body and table top European made swivel faucet on pedestal post are also available for hygienic sanitation and to show the elegance in your prestige kitchen.



Specifications of Table Top Wok Range (Jet Burner Type)

| | Single Head WRHTJ-1A-G | Double Heads WRHTJ-2A-G |
|--|---------------------------|----------------------------|
| Dimensions (mm) | | |
| Width x Depth x Height | 750 x 700 x (350+200) | 1500 x 700 x (350+200) |
| Heat input kW (BTU / hr.) / Operating Pressure (mm in water column) | | |
| Town Gas | 14 (47782) / 100 | 28 (95564) / 100 |
| L.P. Gas | 15 (51195) / 280 | 30 (102390) / 280 |
| Natural Gas | 17 (58021) / 200 | 34 (116042) / 200 |
| Fuel pipe connection (mm) | | |
| Town Gas L.P. Gas Natural Gas | Ø25 | |
| Water inlet / Drainage pipe (mm) | Ø15 / Ø25 | |
| Net / Gross Wt. (kgs) | 60 / 75 | 120 / 145 |



Jet burner assembly

| Remark | |
|---|--|
| Standard Components & Accessories: | <ul style="list-style-type: none"> • Electronic Ignition Device • Flame Failure Device • Tower Type Swivel Faucet |
| Fuel suit for: | Town Gas, Natural Gas, L.P. Gas (must specify gas type before ordering). |