

## 環保靜音強力炒爐

## Environmental Type Quiet Turbo Wok Range

集強力，寧靜與環保於一身的商用炒爐，是飲食業界新興而日益成熟的概念。它為中式及亞洲烹調帶動一個新的趨勢，揉合煎、炒、煮、炸的烹調方式，更可解決傳統鼓風式炒爐的噪音污染，虛耗燃料和安全操作等問題。

在一系列的陳列式以及開放式廚房，它會成為你最出色和可靠的伙伴。

環保靜音強力炒爐配以不銹鋼耐用超靜爐頭與數個安全和自動的標準裝備(包括熄火安全裝置，電子打火器，止回閥和供氣保險制等等)，來確保使用者操作安全與便捷。

### 特徵與優點

- 1) 烹調期間非常寧靜 - 炒爐運作時的聲量只有70dB，給用家提供一個寧靜的廚房，特別在陳列式與開放式廚房更能突顯炒爐之寧靜，比傳統鼓風機炒爐的噪音 - 93dB 減少25%，給與廚師一個舒適且遠離噪音的工作環境。
- 2) 比傳統鼓風機炒爐節省燃料25%。
- 3) 烹調期間非常安全 - 如火種關閉制熄滅，主燃燒器會在3秒內自動關閉；如鼓風機停止運作，主燃燒器也會在5秒內自動關閉來確保用家的安全。
- 4) 配備止回閥作為標準裝備，以避免因氣體逆流而產生的爆炸。
- 5) 配備電子打火器，令點火的過程更便利。

Quiet turbo environmental wok range is a newly developed concept in powerful wok cooking. It provides a new trend in Asian cooking, Chinese cooking, stir frying, a-la-carte cooking that solves problems such as sound pollution & high fuel consumption and safety from traditional air blast wok range. This wok range is the excellent partner to suit show kitchen, open and demo kitchens.

The unit equipped with durable cast iron Quiet Turbo Burner that giving off whirlwind flame.

Also with numbers of standard safety device and automatic features including flame failure supervision device, non-return valve, air-cut device, electronic ignition, etc. to ensure safe and easy operation.

### Features and Benefits

- 1) Super quiet during cooking - 70dB during operation provides a low noise cooking environment in kitchen, particularly suitable for show and open kitchens. 25% sound level reduction compare to 93dB of traditional air blast type wok range!
- 2) 25% lower in fuel consumption compare to traditional air blast wok range.
- 3) Super safe during operation. Main flame will be cut off in less than 3 seconds if pilot light goes off accidentally. While main flame will also be cut off in less than 5 seconds if the air blower is not functioning or electrical supply fails.
- 4) Equipped with non-return valve as standard to avoid potential explosion causes by back flowing of gas.
- 5) Equipped with electronic ignition for easy pilot lighting and convenient operation.



WRGQ-1A-G

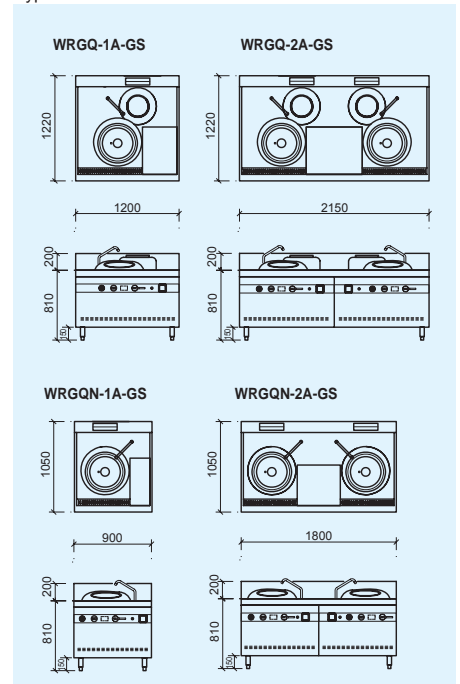
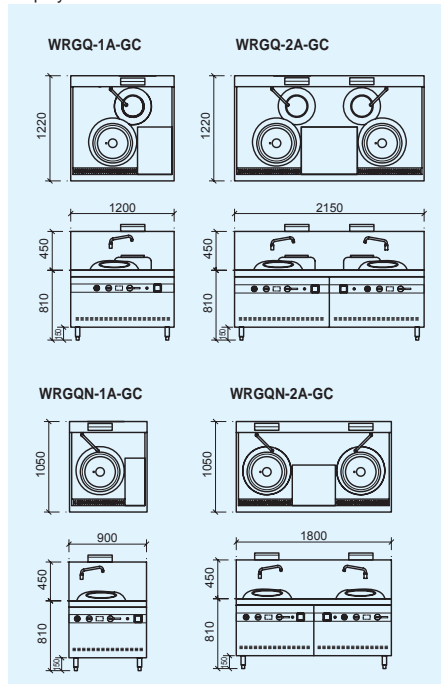
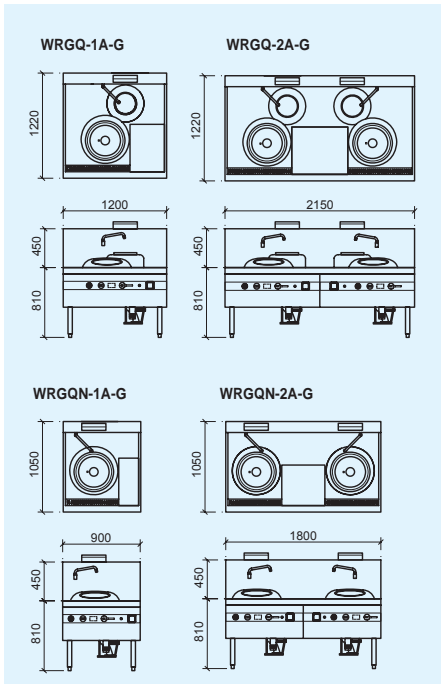


WRGQ-2A-G

標準型號  
Standard Model

陳列櫃身  
Display Cabinet

陳列櫃身連座檯塔式搖擺水龍頭  
Display Cabinet Base with European Tower  
Type Swivel Faucet



## 環保靜音強力炒爐 Environmental Type Quiet Turbo Wok Range



靜音強力爐頭  
Quiet turbo burner assembly

備註	
標準部件及配件:	<ul style="list-style-type: none"> <li>電子點火裝置</li> <li>鼓風機</li> <li>熄火安全監控裝置</li> <li>調味板</li> <li>炸茜架</li> <li>水盆</li> <li>鑊枕</li> </ul>
另選配件:	<ul style="list-style-type: none"> <li>鑊座</li> <li>鑊碼</li> </ul>
此產品適合:	煤氣, 石油氣, 天然氣使用 (採購前必須列明氣體種類)

Remark	
<b>Standard Components &amp; Accessories:</b>	<ul style="list-style-type: none"> <li>Electronic Ignition Device</li> <li>Air Blower</li> <li>Flame Failure Supervision Device</li> <li>Condiment Board</li> <li>Sieve Holder</li> <li>Water Pan</li> <li>Wok Supporter</li> </ul>
<b>Optional Accessories:</b>	<ul style="list-style-type: none"> <li>Wok Stand</li> <li>Wok Range Clip</li> </ul>
<b>Fuel suit for:</b>	Town Gas, Natural Gas, L.P. Gas (must specify gas type before ordering).

### 環保靜音強力炒爐(單爐頭)規格 Specifications of Environmental Type Quiet Turbo Wok Range (Single Burner)

		附設尾鑊 with Rear Pot			不附設尾鑊 without Rear Pot		
		標準型號 Standard Model	陳列櫃身 Display Cabinet Base	陳列櫃身 連座檯塔式搖擺水龍頭 Display Cabinet Base with European Tower Type Swivel Faucet	標準型號 Standard Model	陳列櫃身 Display Cabinet Base	陳列櫃身 連座檯塔式搖擺水龍頭 Display Cabinet Base with European Tower Type Swivel Faucet
<b>型號 Model No.</b>		<b>WRGQ-1A-G</b>	<b>WRGQ-1A-GC</b>	<b>WRGQ-1A-GS</b>	<b>WRGQN-1A-G</b>	<b>WRGQN-1A-GC</b>	<b>WRGQN-1A-GS</b>
<b>尺寸 (毫米) Dimensions (mm)</b>							
闊 x 深 x 高 Width x Depth x Height		1200 x 1220 x (810+450)		1200 x 1220 x (810+200)	900 x 1050 x (810+450)		900 x 1050 x (810+200)
<b>風機 Air blower</b>		AE1			AE1		
電壓 Loading (kW)		0.18			0.18		
耗電量 (千瓦) Voltage (V/Ph/Hz)		(110~220/1/50~60)			(110~220/1/50~60)		
<b>熱輸入量千瓦 (英熱單位 / 小時) / 操作氣壓 (水柱毫米) Heat input kW (BTU / hr.) / Operating Pressure (mm in water column)</b>							
煤氣 Town Gas		46 (157000) / 100			46 (157000) / 100		
石油氣 L.P. Gas		46 (157000) / 280			46 (157000) / 280		
天然氣 Natural Gas		44 (150172) / 200			44 (150172) / 200		
<b>燃料駁口 (毫米) Fuel pipe connection (mm)</b>							
煤氣 Town Gas		Ø25			Ø25		
石油氣 L.P. Gas		Ø25			Ø25		
天然氣 Natural Gas		Ø25			Ø25		
<b>來去水駁口 (毫米) Water inlet / Drainage pipe (mm)</b>							
來水 / 去水 Water inlet / Drain		Ø15 / Ø38			Ø15 / Ø38		
<b>淨重 / 毛重 (公斤) Net / Gross Wt. (kgs)</b>		400 / 525	405 / 530	400 / 525	290 / 390	295 / 395	290 / 390

### 環保靜音強力炒爐(雙爐頭)規格 Specifications of Environmental Type Quiet Turbo Wok Range (Double Burner)

		附設尾鑊 with Rear Pot			不附設尾鑊 without Rear Pot		
		標準型號 Standard Model	陳列櫃身 Display Cabinet Base	陳列櫃身 連座檯塔式搖擺水龍頭 Display Cabinet Base with European Tower Type Swivel Faucet	標準型號 Standard Model	陳列櫃身 Display Cabinet Base	陳列櫃身 連座檯塔式搖擺水龍頭 Display Cabinet Base with European Tower Type Swivel Faucet
<b>型號 Model No.</b>		<b>WRGQ-2A-G</b>	<b>WRGQ-2A-GC</b>	<b>WRGQ-2A-GS</b>	<b>WRGQN-2A-G</b>	<b>WRGQN-2A-GC</b>	<b>WRGQN-2A-GS</b>
<b>尺寸 (毫米) Dimensions (mm)</b>							
闊 x 深 x 高 Width x Depth x Height		2150 x 1220 x (810+450)		2150 x 1220 x (810+200)	1800 x 1050 x (810+450)		1800 x 1050 x (810+200)
<b>風機 Air blower</b>		2 x AE1			2 x AE1		
電壓 Loading (kW)		2 x 0.18			2 x 0.18		
耗電量 (千瓦) Voltage (V/Ph/Hz)		(110~220/1/50~60)			(110~220/1/50~60)		
<b>熱輸入量千瓦 (英熱單位 / 小時) / 操作氣壓 (水柱毫米) Heat input kW (BTU / hr.) / Operating Pressure (mm in water column)</b>							
煤氣 Town Gas		2 x 46 (157000) / 100			2 x 46 (157000) / 100		
石油氣 L.P. Gas		2 x 46 (157000) / 280			2 x 46 (157000) / 280		
天然氣 Natural Gas		2 x 44 (150172) / 200			2 x 44 (150172) / 200		
<b>燃料駁口 (毫米) - 需要兩組獨立入口氣口 Fuel pipe connection (mm) - need 2 individual gas inlets</b>							
煤氣 Town Gas		2 x Ø25			2 x Ø25		
石油氣 L.P. Gas		2 x Ø25			2 x Ø25		
天然氣 Natural Gas		2 x Ø25			2 x Ø25		
<b>來去水駁口 (毫米) Water inlet / Drainage pipe (mm)</b>							
來水 / 去水 Water inlet / Drain		Ø15 / Ø38			Ø15 / Ø38		
<b>淨重 / 毛重 (公斤) Net / Gross Wt. (kgs)</b>		710 / 945	720 / 955	710 / 945	510 / 700	520 / 710	510 / 700