

# POWER FLAME

## Environmental Type Quiet Turbo Wok Range



Quiet turbo environmental wok range is a newly developed concept in powerful wok cooking. It provides a new trend in Asian cooking, Chinese cooking, stir frying, a-la-carte cooking that solves problems such as sound pollution & high fuel consumption and safety from traditional air blast wok range. This wok range is the excellent partner to suit show kitchen, open and demo kitchens.

The unit equipped with durable cast iron Quiet Turbo Burner that giving off whirlwind flame.

Also with numbers of standard safety device and automatic features including flame failure supervision device, non-return valve, air-cut device, electronic ignition, etc. to ensure safe and easy operation.

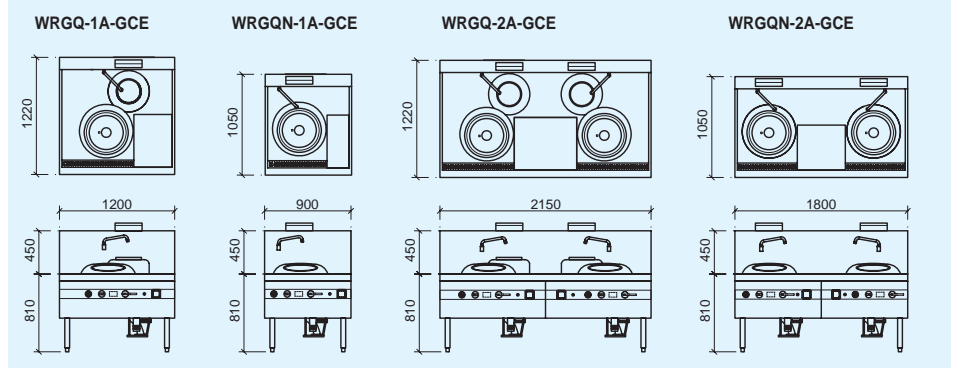
### Features and Benefits

- 1) Super quite during cooking – 70dB during operation provides a low noise cooking environment in kitchen, particularly suitable for show and open kitchens. 25% sound level reduction compare to 93dB of traditional air blast type wok range!
- 2) 25% lower in fuel consumption compare to traditional air blast wok range.
- 3) Super safe during operation. Main flame will be cut off in less than 3 seconds if pilot light goes off accidentally. While main flame will also be cut off in less than 5 seconds if the air blower is not functioning or electrical supply fails.
- 4) Equipped with non-return valve as standard to avoid potential explosion causes by back flowing of gas.
- 5) Equipped with electronic ignition for easy pilot lighting and convenient operation.

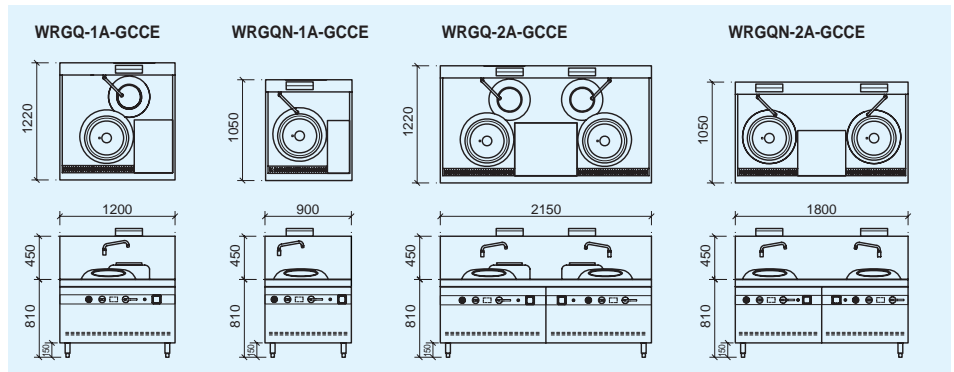


## Environmental Type Quiet Turbo Wok Range

### Basic Model



### Display Cabinet Base Model



Remark	
<b>Standard Components &amp; Accessories:</b>	<ul style="list-style-type: none"> <li>• Electronic Ignition Device</li> <li>• Air Blower</li> <li>• Flame Failure Supervision Device</li> <li>• Condiment Board</li> <li>• Sieve Holder</li> <li>• Water Pan</li> <li>• Wok Supporter</li> </ul>
<b>Optional Accessories:</b>	<ul style="list-style-type: none"> <li>• Wok Stand</li> <li>• Wok Range Clip</li> </ul>
<b>Fuel suit for:</b>	Town Gas, Natural Gas, Butane / Propane (L.P. Gas) (must specify gas type before ordering).



Quiet turbo burner assembly

### Specifications of Environmental Type Quiet Turbo Wok Range

CE	Single burner		Double burners	
	with 1 rear pot	without rear pot	with 2 rear pots	without rear pot
<i>Basic model</i>	WRGQ-1A-GCE	WRGQN-1A-GCE	WRGQ-2A-GCE	WRGQN-2A-GCE
<i>Display Cabinet Base Model</i>	WRGQ-1A-GCCE	WRGQN-1A-GCCE	WRGQ-2A-GCCE	WRGQN-2A-GCCE
<b>Dimensions (mm)</b>				
Width x Depth x Height	1200 x 1220 x (810+450)	900 x 1050 x (810+450)	2150 x 1220 x (810+450)	1800 x 1050 x (810+450)
<b>Air blower</b>	AE1		2 x AE1	
Loading (kW) Voltage (V/Ph/Hz)	0.18 (110-220/1/50-60)		2 x 0.18 (110-220/1/50-60)	
<b>Operating Pressure (mbar) / Heat input kW (BTU / hr.)</b>				
<b>G110 (Town Gas)</b>				
I <sub>1a</sub>	8mbar	30 (102400)	2 x 30 (2 x 102400)	
<b>G30 Butane / G31 Propane (L.P. Gas)</b>				
I <sub>3+</sub> (28-30/37)	28-30 / 37mbar	45 (153500)	2 x 45 (2 x 153500)	
I <sub>3B/P</sub> (30)	30mbar			
I <sub>3B/P</sub> (37)	37mbar			
I <sub>3B/P</sub> (50)	50mbar			
<b>G20 &amp; G25 (Natural Gas)</b>				
I <sub>2E</sub> ; I <sub>2E+</sub> ; I <sub>2H</sub>	20mbar	45 (153500)	2 x 45 (2 x 153500)	
I <sub>2L</sub>	25mbar			
<b>Fuel pipe connection (mm)</b>				
Town Gas		Ø25	Ø25 (2 individual gas inlets)	
Butane / Propane (L.P. Gas)		Ø25	Ø25 (2 individual gas inlets)	
Natural Gas		Ø25	Ø25 (2 individual gas inlets)	
<b>Water inlet / Drainage pipe (mm)</b>				
Water inlet		Ø15	Ø15	
Drain		Ø38	Ø38	
<b>Net / Gross Wt. (kgs)</b>				
<i>Basic Model</i>	400 / 525	290 / 390	710 / 945	510 / 700
<i>Display Cabinet Base Model</i>	405 / 530	295 / 395	715 / 950	515 / 705